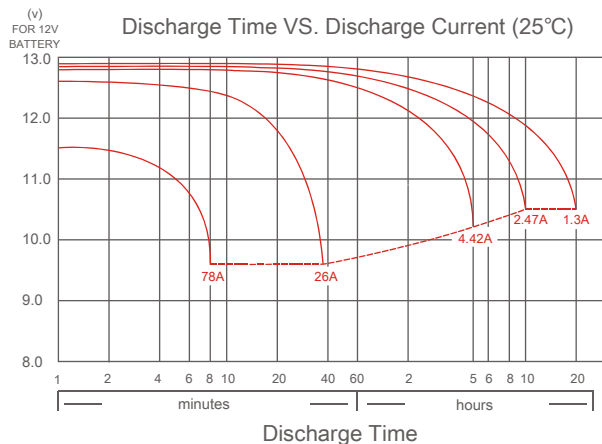
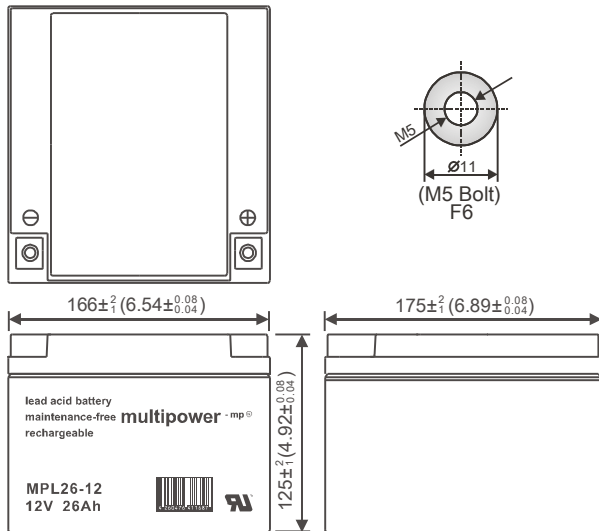


# RECHARGEABLE SEALED LEAD ACID BATTERY

# SPECIFICATION



## MPL26-12

Nominal Voltage (V) 12V

### Nominal Capacity

20 hour rate	(1.3A	to	10.50V)	26.00Ah
10 hour rate	(2.47A	to	10.50V)	24.70Ah
5 hour rate	(4.42A	to	10.20V)	22.10Ah
1 C	(26A	to	9.60V)	16.47Ah
3 C	(78A	to	9.60V)	10.40Ah

Weight Approx. 9.3kg (20.46lbs.)

Internal Resistance (at 1KHz) Approx. 11 mΩ

### Maximum Discharge Current for

5 seconds: 390A

### Charging Methods at 25°C (77°F)

Maximum Charging Current: 7.8A

Standby use:

Float Charging Voltage 13.50V to 13.80V

Coefficient -3.0mV/°C/cell

### Operating Temperature Range

Charge -15°C (5°F) to 40°C (104°F)

Discharge -15°C (5°F) to 50°C (122°F)

Storage -15°C (5°F) to 40°C (104°F)

### Charge Retention (shelf life) at 20°C (68°F)

1 month 92%

3 month 90%

6 month 80%

### Case Material

ABS UL94 HB

### Terminal

F6

### Description of torque value of hard ware for the terminals:

Recommended torque value M5: 5 N-m (51kgf-cm)

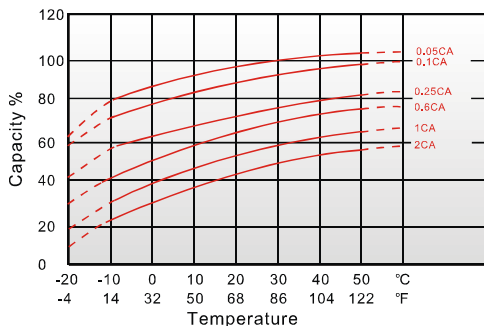
Maximum allowable torque value M5: 6 N-m (61kgf-cm)

### Design Life

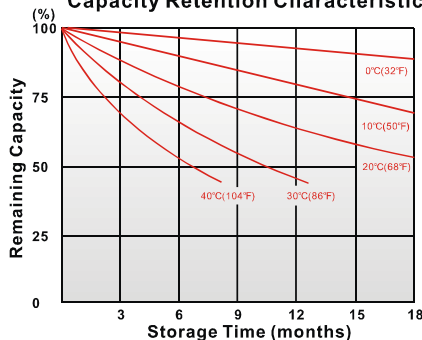
Eurobat (20°C): 10+ years

## CHARACTERISTIC & PERFORMANCE DATA

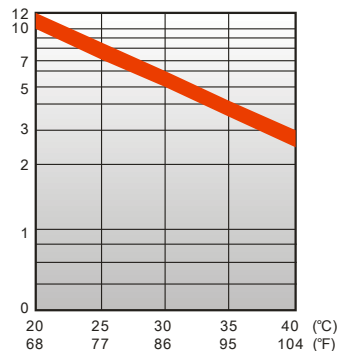
Effect of Temperature on Capacity 25°C(77°F)



Capacity Retention Characteristic



Trickle (or float) Service Life



### - PERFORMANCE DATA

Discharge Rates in Watts per Cell to Various End Voltages at 25°C (77°F)

End Voltage		1.85V	1.80V	1.75V	1.70V	1.67V	1.65V	1.60V
5	min	147	161	173	185	191	196	208
10	min	108	114	119	125	128	131	135
15	min	78.7	84.0	88.2	92.2	94.2	96.0	99.5
30	min	42.3	45.3	47.2	48.7	49.5	50.3	51.3
60	min	30.2	31.7	32.4	32.8	33.2	33.5	33.8
120	min	19.2	19.8	20.2	20.7	20.8	21.0	21.2
180	min	12.8	13.2	13.4	13.6	13.6	13.7	13.8
240	min	10.3	10.5	10.7	10.8	10.9	10.9	11.0
300	min	8.75	8.90	8.98	9.07	9.10	9.15	9.37
600	min	5.42	5.52	5.58	5.66	5.68	5.72	5.75
1200	min	2.62	2.69	2.74	2.78	2.80	2.82	2.83

### - Discharge Rates in Amperes per Battery to Various End Voltages at 25°C (77°F)

End Voltage		1.85V	1.80V	1.75V	1.70V	1.67V	1.65V	1.60V
5	min	78.9	92.9	103	109	111	113	115
10	min	55.6	62.1	64.2	68.2	70.4	72.3	75.7
15	min	40.8	46.4	49.8	52.6	54.3	54.9	56.2
30	min	21.4	23.8	25.2	26.5	27.2	27.8	28.8
60	min	15.3	16.1	16.5	16.9	17.1	17.3	17.5
120	min	9.34	9.72	9.87	10.0	10.1	10.2	10.3
180	min	6.45	6.63	6.72	6.83	6.87	6.92	6.99
240	min	5.48	5.61	5.69	5.76	5.79	5.84	5.91
300	min	4.77	4.86	4.93	5.00	5.02	5.05	5.08
600	min	2.55	2.61	2.65	2.69	2.71	2.74	2.77
1200	min	1.29	1.34	1.36	1.38	1.39	1.40	1.43

All data on the spec. sheet is an average value:

The tolerance range : X<6min (+15%~-15%), 6min≤X<10min (+12%~-12%), 10min ≤X < 60min(+8%~-8%), X≥60min (+5%~-5%)